

(TECHNICAL) PRODUCT INFORMATION

Orthros

Standard version

- ✓ Diagonally adjustable seats, always the best cycling position.
- ✓ Powerful pedal assistance.
- ✓ Extremely stable construction.
- ✓ 8-speed freewheel hub.
- ✓ Front and rear disc brakes with integrated parking brake.
- ✓ Schwalbe anti-puncture tyres.
- ✓ Bright automatic LED-lighting.
- ✓ Swivel passenger seat.
- ✓ Closed chain cases.
- ✓ Ergonomically adjustable handlebar stems.

Colors

- Bright metallic blue (RAL 5025)
- Gun metal silver, matt
- Custom RAL color at additional charge (excluding fluorescent colors)

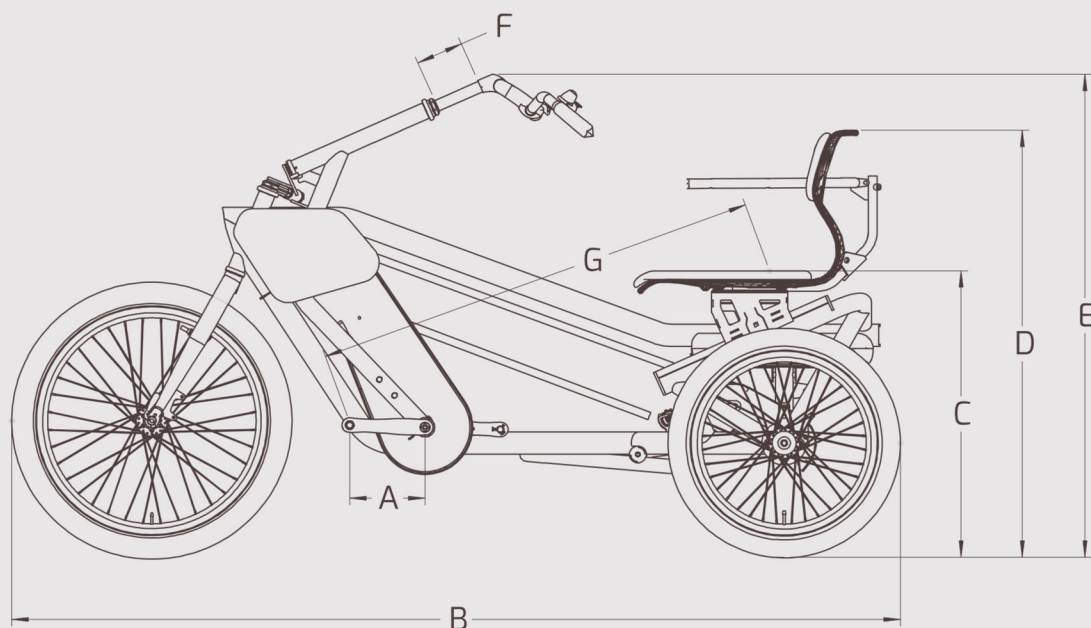
RAL
5025

Gun
metal
silver

Most common options & accessories

- Armrests
- Roll-up belt
- 4-point fixation jacket
- Switchable freewheel
- Foldable foot plate
- Luggage rack (several types)
- Spoke covers
- Mirrors

Find more options on the Orthros pricelist or configure your Orthros via the configurator on the website.



Other features

Standard

Weight in kg	79
Material frame	anti-corrosion treated steel
Exterior	grade epoxy coating (less environmentally harmful)
Handlebar stem	ergonomic, adjustable
Front wheel	24 x 2,15 (55-507)
Rear wheels	20 x 2,15 (55-406)
Tyres	Schwalbe Pick-Up Plus (anti-puncture)

Pedal support (including)

Motor	Bafang 65 Nm motor on rear axle (high torque even at low speed)
Battery	Bafang 43V, 750 Wh lockable and removable power
Sensor	(Torque)
Display	color display
Total weight in kg	9

Dimensions

Part	
Length overall in mm (B)	2010
Width of wheelbase	970
Inner leg length at front in mm (G)	660-920
Seat height to ground in mm (C)	580-700
Seat width x depth seat in mm	450 x 365
Back height seat in mm	350
Back height in mm (from the ground) (D)	890-990
Handlebar height in mm (from the ground) (E)	1020-1160
Crank length in mm (A)	170
Maximum load in kg	265