

(TECHNICAL) PRODUCT INFORMATION

Cortes XS

Standard version

- ✓ Ideal low step-in and seat height.
- ✓ Light hydraulic disc brakes, front and rear.
- ✓ Integrated parking brake.
- ✓ Schwalbe anti-puncture tyres.
- ✓ Bright LED lights front and rear over battery pedal assistance.
- ✓ Available with various seating systems.
- ✓ Agile and compact.
- ✓ Adjustable suspension rear frame.
- ✓ Smooth riding and steering thanks to differential on rear wheels.
- ✓ Low centre of gravity so very stable.
- ✓ Equipped with mid-motor.
- ✓ Thumb throttle as a driving help.

Colors

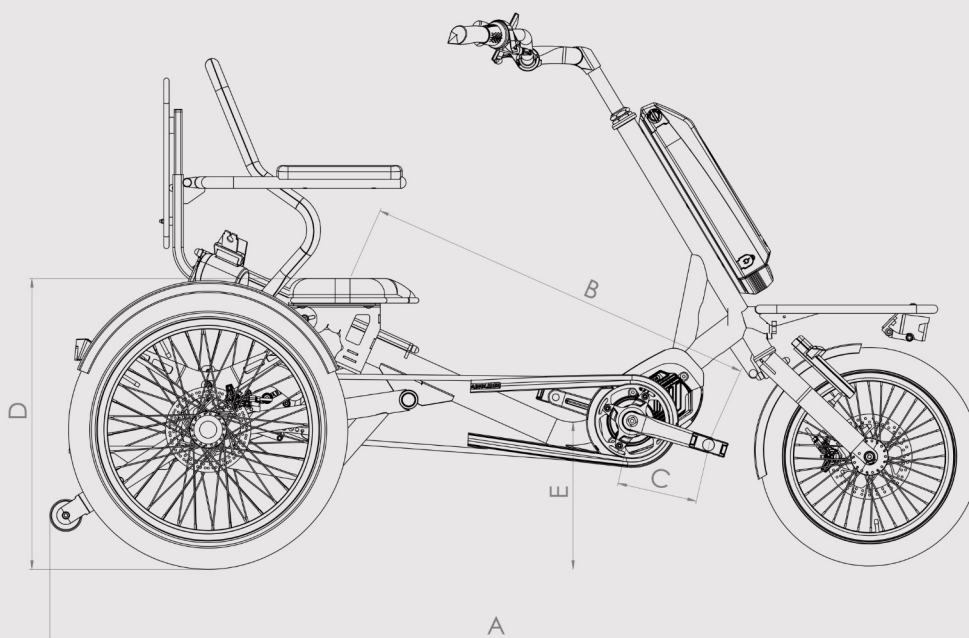
- Crimson red RAL 3002
- Pale green RAL 6021
- Dove blue matt RAL 5014
- Gun metal silver, matt look
- Custom RAL color at extra cost (except fluorescent colors)

Most common options & accessories

- Balance pedals
- Multiple seating systems
- Adaption walker holder
- Rear-view mirror
- Multiple luggage options

Find more options on the Cortes XS price list or configure your Cortes XS via the configurator on the website.





Other features

Standard

Weight in kg	55
Frame material	anti-corrosion treated steel
Finish	exterior grade epoxy powder coating (less environmentally harmful)
Handlebar stem	adjustable, optionally with quick-release device
Front tyre	16 x 2,15 (55-305)
Rear tyres	20 x 1,75 (55-406)
Tyres	Pick-up (anti-puncture)

Pedal assistance Bafang

Motor	Bafang M410 HD mid-motor 80 Nm
Drive-up aid	with thumb throttle
Accu	Bafang downtube 43V, 450 Wh (optional 600 Wh)
Sensor	power (Torque)
Display	large, color display

Size

Part	
Total length in mm (A)	1750
Seat height in mm (D)	580-680
Frame entry height in mm (E)	270
Entry height at chaincase in mm	350
Width in mm	785
Crank length in mm (C)	150
Maximum load in kg	110
Inner leg length in mm (B)	630-890