



(TECHNICAL) PRODUCT INFORMATION
City

Standard version

- ✓ Ideal low step-in height.
- ✓ Light operated hydraulic rear disc brakes.
- ✓ Integrated parking brake.
- ✓ Schwalbe anti-puncture tyres.
- ✓ Bright LED lighting.
- ✓ AXA safety lock.
- ✓ Closed chaincase. and shielded drive.
- ✓ Smooth riding and steering thanks to differential on rear wheels.
- ✓ Low centre of gravity so very stable.
- ✓ Available in two sizes.

Colors

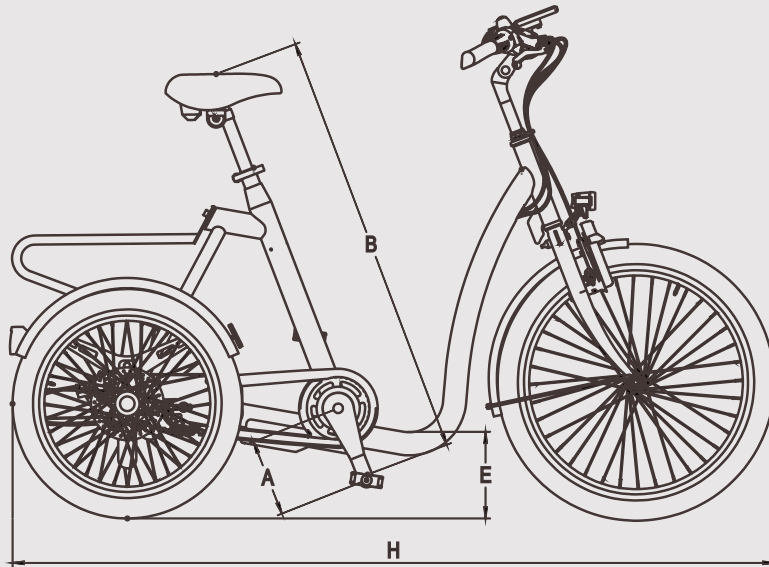
- Bright metallic blue (RAL5025)
- Gun metal silver with a matte look
- Matt Cream white (Country edition) (RAL1013)
- Custom RAL color at additional charge (excluding fluorescent colors).



Most common options & accessories

- Balance pedals
- Multiple saddle types
- Backrests
- Rear view mirror
- Stick holders

Find more options on the City pricelist or configure your City via the configurator on the website.



Other features

Standard

Weight in kg	26 (without pedal assistance)
Frame material	anti-corrosion treated steel
Exterior	finish epoxy coating (less environmentally harmful)
Seat post	fixed aluminium, optionally sprung (length 350 mm)
Handlebar stem	ergonomic, adjustable
Front wheel	24 x 1,75 (47-507)
Rear wheels	20 x 1,75 (47-406)
Tyres	Schwalbe Marathon Plus (anti-puncture)

Pedal support (optional)

Motor	Bafang front wheel motor 65Nm
Battery	Bafang 43V, 450 Wh, optionally 750 Wh Lockable and removable
Sensor	Force (Torque) or Movement (Speed)
Display	Large, colour display
Weight in kg	9

Dimensions

Part	
Total length in mm (H)	1675
Frame size in mm	City M: 450, City L: 580
Width in mm	785
Inner leg length in mm (W)	City M: 680-960, City L: 790-980
Step up height in mm (E)	190
Saddle height to ground in mm	City M: 690-1080, City L: 820-1180
Crank length in mm (A)	170
Maximum load in kg	130