



(TECHNICAL) PRODUCT INFORMATION
Orthros

Standard version

- ✓ Diagonally adjustable seats, always the best cycling position.
- ✓ Powerful pedal assistance.
- ✓ Extremely stable construction.
- ✓ 8-speed freewheel hub.
- ✓ Front and rear disc brakes with integrated parking brake.
- ✓ Schwalbe anti-puncture tyres.
- ✓ Bright automatic LED-lighting.
- ✓ Swivel passenger seat.
- ✓ Closed chain cases.
- ✓ Ergonomically adjustable handlebar stems.

Colors

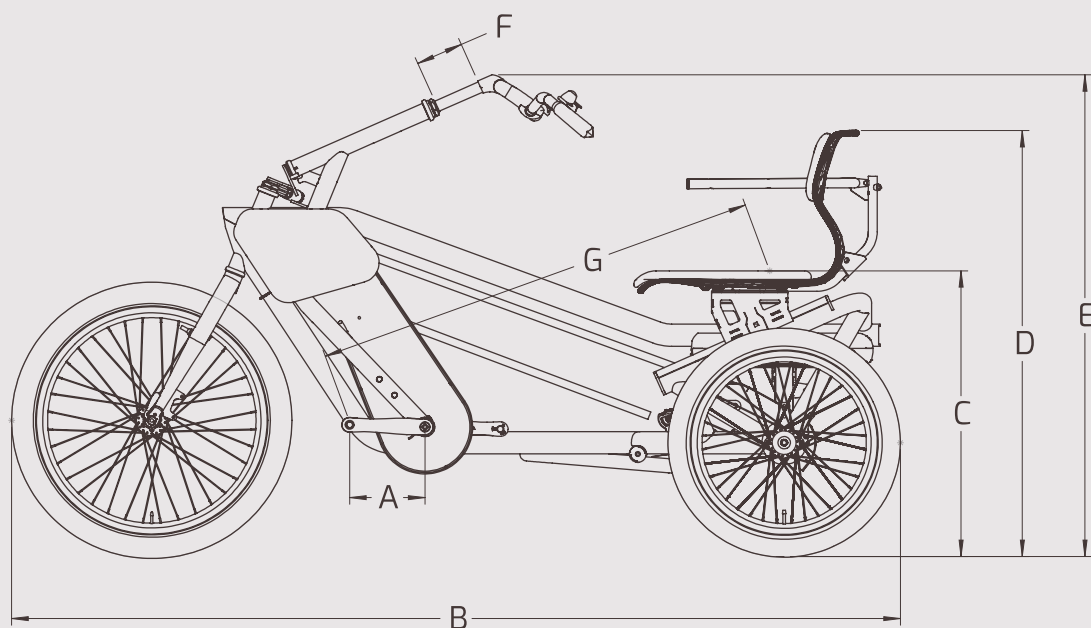
- Bright metallic blue (RAL 5025).
- Gun metal silver, matt.
- Custom RAL color at additional charge (excluding fluorescent colors).



Most common options & accessories

- Armrests
- Roll-up belt
- 4-point fixation jacket
- Switchable freewheel
- Foldable foot plate
- Luggage rack (several types)
- Spoke covers
- Mirrors

Find more options on the Orthros pricelist or configure your Orthros via the configurator on the website.



Other features

Standard

Weight in kg	79
Material frame	anti-corrosion treated steel
Finishing	grade epoxy coating (less environmentally harmful)
Handlebar stem	ergonomic, adjustable
Front wheel	24 x 2,15 (55-507)
Rear wheels	20 x 2,15 (55-406)
Tyres	Schwalbe Pick-up Plus (anti-puncture)

Pedal support (including)

Motor	Bafang 65Nm motor on rear axle. High torque even at low speed.
Accu	Bafang 43V, 750 Wh, lockable and removable power (Torque)
Sensor	color display
Display	9
Total weight in kg	

Dimensions

Part	
Length overall in mm (B)	2010
Width of wheelbase	970
Inner leg length at front in mm (G)	660-920
Seat height to ground in mm (C)	580-700
Seat width x depth seat in mm	450 x 365
Back height seat in mm	350
Back height in mm (from the ground) (D)	890-990
Handlebar height in mm (from the ground) (E)	1020-1160
Crank length in mm (A)	170
Maximum load in kg	265